

RANGER PUMP

Gear pump for tanker unloading

This small compact gear pump is proving to be a success with tanker operators. The close coupled hydraulic motor design is lightweight and compact.

Product features:

- Pulsation free
- Mechanical seal-or packed gland
- Close coupled hydraulic drive arrangement
- Small footprint - high flow rate
- Integral Pressure Relief Valve

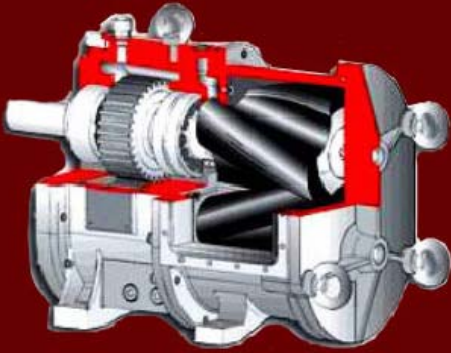


TRANSAIRVAC
INTERNATIONAL LTD

www.transairvac.com

RANGER PUMP

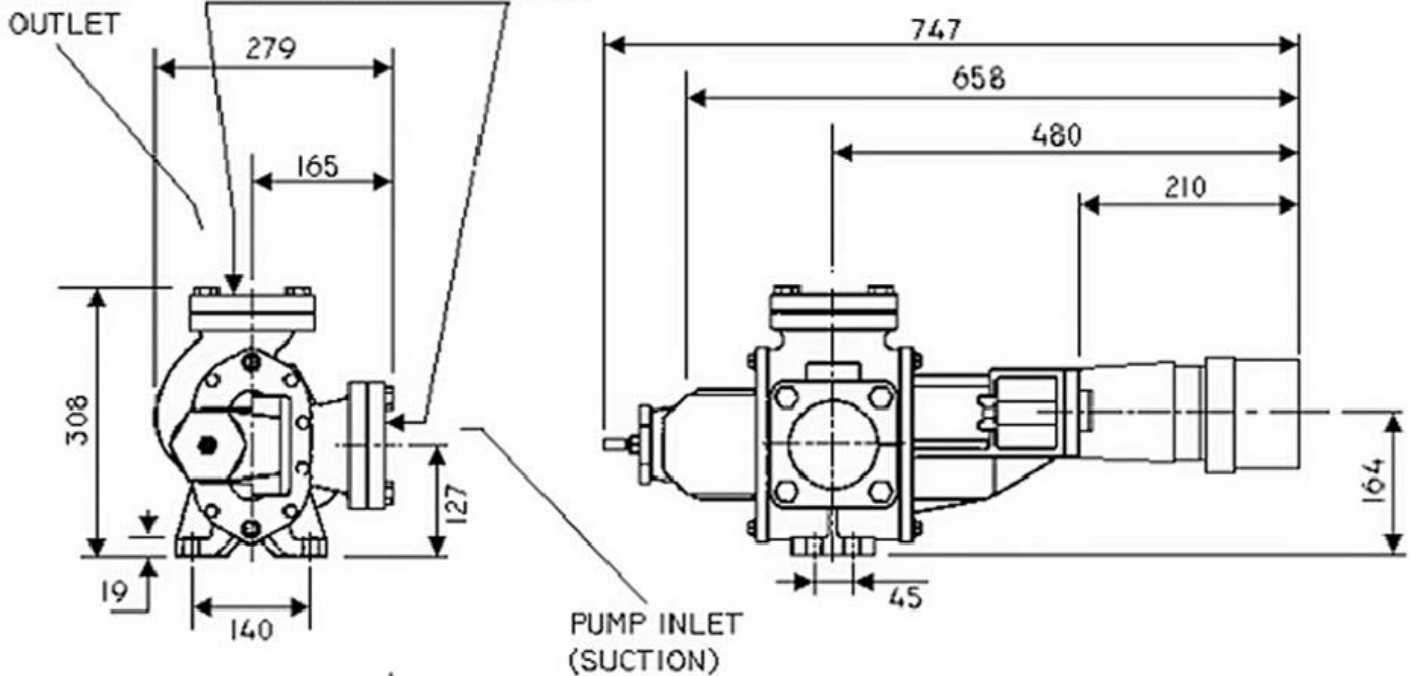
TECHNICAL SPECIFICATION



Flow rate m ³ /hr	Pressure max bar	Speed rpm	Power absorbed kW	Hydraulic Flow Lt/min	Hydraulic Pressure Bar
25	8	500	6	50	80
30	8	600	7.2	60	80
35	8	700	70	70	80

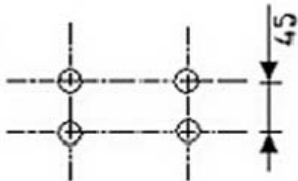
DISCHARGE
OUTLET

3" NPT FLANGE STANDARD



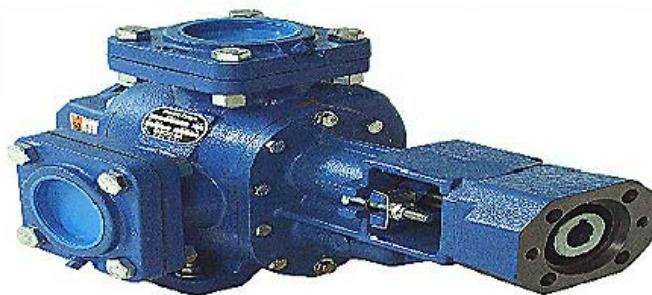
PUMP INLET
(SUCTION)

4xM10



Other Transairvac products include:

- Hydraulic coolers
- Pressure line filters
- Compressors
- Vacuum pumps
- Blowers
- Rotary lobe pumps



TRANSAIRVAC
INTERNATIONAL LTD

Units 12 – 17, Croft Road Industrial Estate,
Newcastle, Staffordshire ST5 0TW
Tel: +44 (0)1782 710282 Fax: +44 (0)1782 710126
email: office@transairvac.com
web: www.transairvac.com