

PLF 1000 FILTER

In line "T" Ported Filter – specifically designed for high volume blowers and compressors.

To meet the changing demands of the transport market for higher volume air flows, we have taken an established design and modified the filter head to accommodate the increased flow rates. The PLF1000 design now allows flow rates between 800 – 1200 m³/hr. In addition the PLF1000 has a sight glass for visual inspection of the element as standard.

Product features:

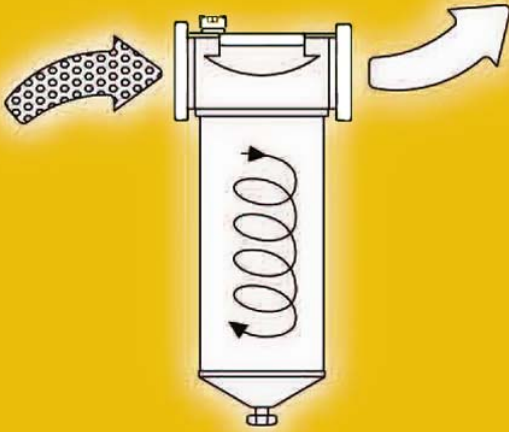
- Flanged aluminium head
- Stainless steel body with sight glass
- Pleated stainless steel 316 sintered fibre 5 micron element
- Gauge points
- Filter blockage indicator
- Drain
- Sight glass



www.transairvac.com

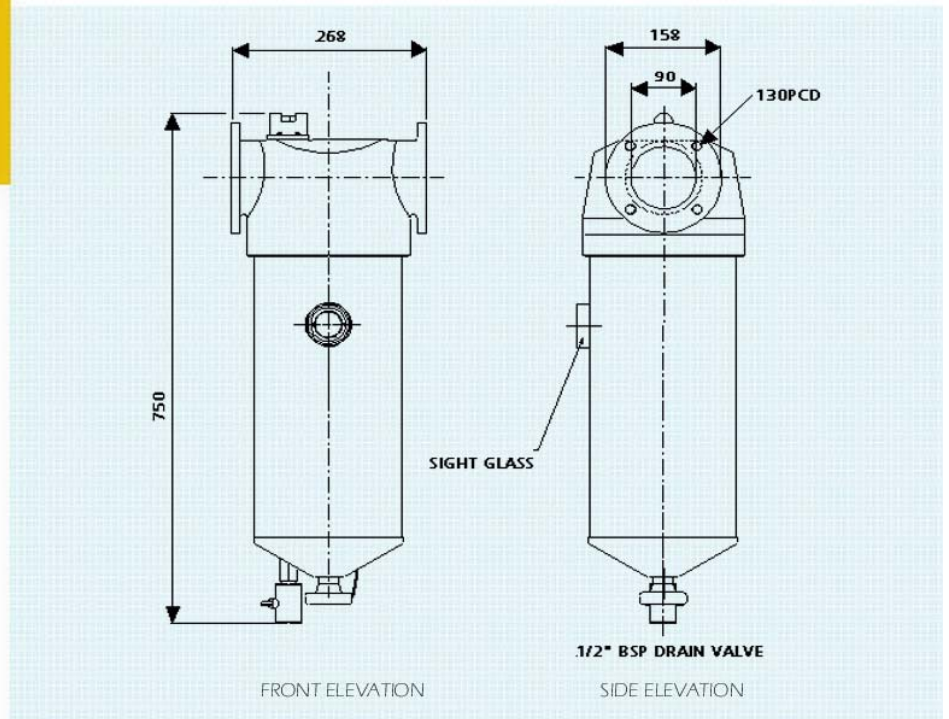
PLF 1000 FILTER

TECHNICAL SPECIFICATION



PLF 1000

Flow rate m ³ /hr	600 – 1200 m ³ /hr
Temperature rating	-30°C to +200°C
Filtration Efficiency	5micron absolute 100% 1micron @99.5%
Pressure rating	3barg rated 5 bar max



Other filter products available

PLF150



Hiflow



Elements manufactured to customer specification



Other Transairvac products include:

- Hydraulic coolers
- Pressure line filters
- Compressors
- Vacuum pumps
- Blowers
- Rotary lobe pumps

TRANSAIRVAC
INTERNATIONAL LTD

Units 12 – 17, Croft Road Industrial Estate,
Newcastle, Staffordshire ST5 0TW
Tel: +44 (0)1782 710282 Fax: +44 (0)1782 710126
email: office@transairvac.com
web: www.transairvac.com