

# PLF 150 FILTER

*High quality filter industry approved performance  
(5 micron absolute)*

Liquid Tanker Filter is an industry approved filter. It has excellent pressure drop characteristics and has a high dirt holding capacity

*Giving you the adaptability you need*

There are optional grades of filtration available

## *Product features*

- Fully, stainless steel body
- Pleated stainless steel fibre element
- Gauge points
- Drain points

## *Options*

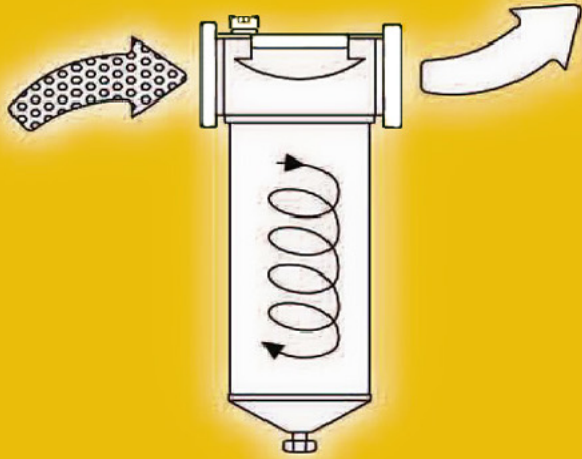
- Other grade of filtration (40 micron)



www.transairvac.com

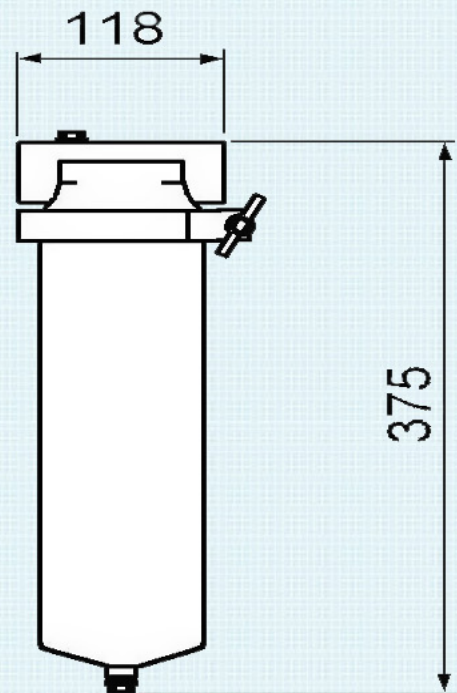
# PLF 150 FILTER

## TECHNICAL SPECIFICATION



### PLF 150

Flow rate m <sup>3</sup> /hr	20 – 180 m <sup>3</sup> /hr
Temperature rating	-30°C to +180°C
Filtration Efficiency	5micron absolute 100% 1micron @99.5%
Pressure rating	design rated to 20 bar max



### Filter options

- 40 micron element

PLF1000



Hiflow



Elements manufactured to customer specification



### Other Transairvac products include:

- Hydraulic coolers
- Pressure line filters
- Compressors
- Vacuum pumps
- Blowers
- Rotary lobe pumps

**TRANSAIRVAC**  
INTERNATIONAL LTD

Units 12 – 17, Croft Road Industrial Estate,  
Newcastle, Staffordshire ST5 0TW  
Tel: +44 (0)1782 710282 Fax: +44 (0)1782 710126  
email: [office@transairvac.com](mailto:office@transairvac.com)  
web: [www.transairvac.com](http://www.transairvac.com)